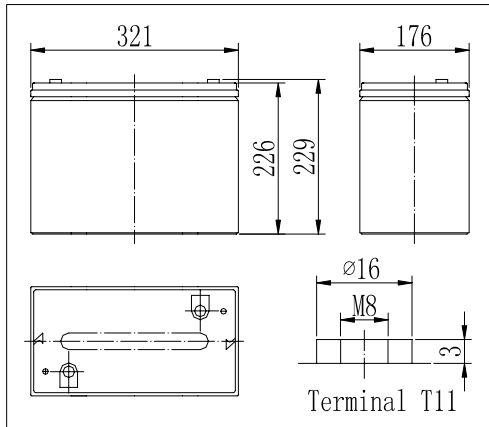
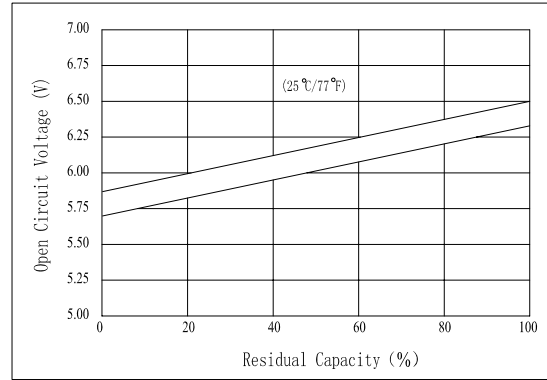


**Dimensions**



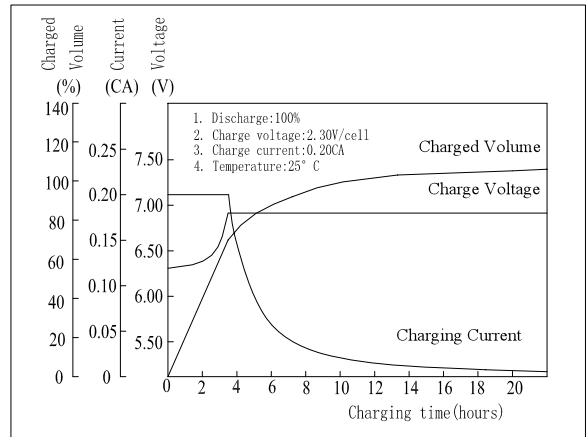
**The Relationship for Open Circuit Voltage and Residual Capacity (25°C)**



**Specifications**

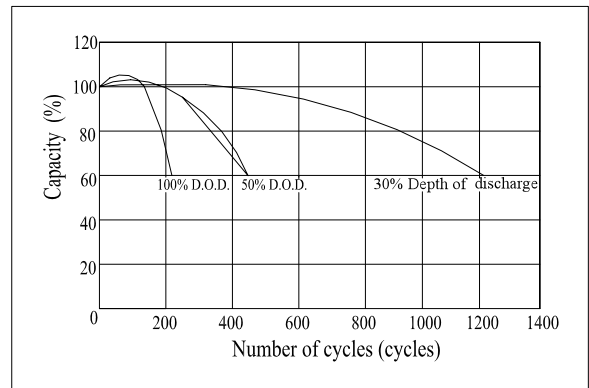
Nominal Voltage	6 V	
Capacity(10HR, 25°C)	200 Ah	
Dimension	Length	321mm (12.64inch)
	Width	176mm (6.93inch)
	Height	226mm (8.90inch)
	Total Height	229mm (9.02inch)
Approx. Weight	31kg (68.4lbs)	
Internal resistance (Fully charged, 25°C)	Approx. 3.1mΩ	
Capacity affected by temperature (10HR)	40°C	102%
	25°C	100%
	0°C	85%
	-15°C	65%
Self-discharge (25°C)	3 month	Remaining Capacity: 91%
	6 month	Remaining Capacity: 82%
	12 month	Remaining Capacity: 65%
Nominal operating temperature	25°C ±3°C (77°F ±5°F)	
Operating temperature range	-15°C ~ 50°C (5°F ~ 122°F)	
Float charging voltage(25°C)	6.75 to 6.90V	
Cyclic charging voltage(25°C)	7.25 to 7.45V	
Maximum charging current	60A	
Terminal material	Copper	
Maximum discharge current	1600A(5 sec.)	

**Charging Characteristics(25°C)**



- ◆ Absorbent glass mat technology;
- ◆ Recognized by UL & CE;
- ◆ ABS container.

**Cycle Life(25°C)**



Note: Floating life at 20°C designed for 7 to 10 years.

**Constant Current Discharge Characteristics (A, 25°C)**

F.V/TIME	5min	10min	15min	30min	60min	3h	5h	10h	20h
4.80V	650	430	370	210	130	55.0	38.2	20.3	10.6
5.10V	630	405	340	195	122	53.0	37.0	20.1	10.5
5.40V	565	360	300	175	110	50.0	33.5	20.0	10.4

**Constant Power Discharge Characteristics (Watt, 25°C)**

F.V/TIME	5min	10min	15min	30min	60min	3h	5h	10h	20h
4.80V	3700	2450	2109	1208	754	328	229	121	63.3
5.10V	3580	2305	1938	1121	708	319	221	120	62.8
5.40V	3215	2050	1710	1005	638	298	200	120	62.4