

SBL 134R-12i

(12V 134Ah)

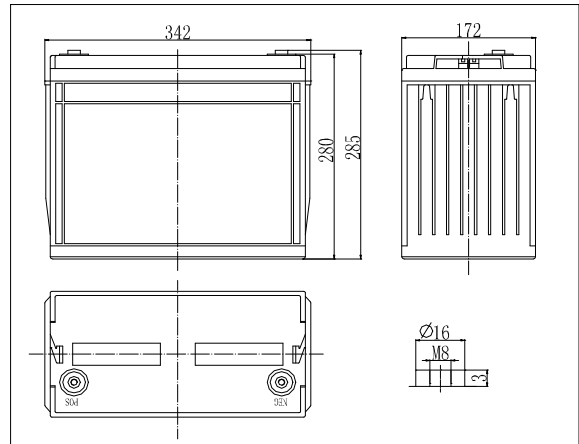
High Performance battery with 10-12 years design life (EUROBAT)

Status: 01-2014

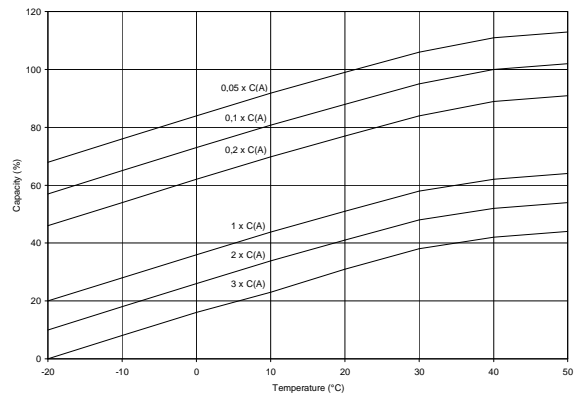
Specifications

Nominal Voltage		12V
Capacity (10hr@25°C@1.75V/C)		140.1Ah
Dimensions	Length	342mm (13.46inch)
	Width	172mm (6.77inch)
	Height	280mm (11.02inch)
	Total Height	285mm (11.22inch)
Approx. Weight		41.5kg (91.49lbs)
Maximum charging current		40A
Maximum discharge current		1050A (5sec.)
Internal resistance (Fully charged, 25°C)		Approx. 3.8mΩ
Capacity affected by temperature (10hr)	40°C	102%
	25°C	100%
	0°C	85%
	-15°C	65%
Self-discharge (25°C)	3 month	Remaining Capacity: 91%
	6 month	Remaining Capacity: 82%
	12 month	Remaining Capacity: 65%
Nominal operating temperature		25°C (77°F)
Operating temperature range		-15°C ~ 50°C (5°F ~ 122°F)
Float charging voltage (25°C)		13.65 to 13.80V
Cyclic charging voltage (25°C)		14.50 to 14.90V
Absorbent glass mat technology		
ABS (UL94-HB) container		Recognized by UL & CE

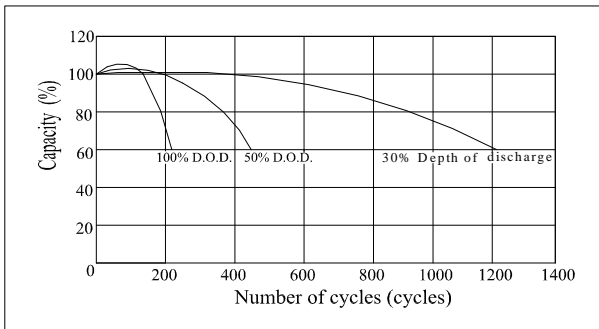
Dimensions



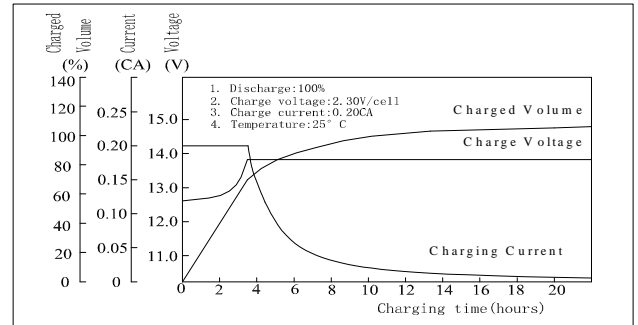
Temperature Effects in Relation to Battery Capacity



Cycle Life (25°C)



Charging Characteristics (25°C)



Constant Current Discharge Characteristics (Ampere per Battery, 25°C)

F.V./TIME	10min	15min	30min	1h	2h	3h	4h	5h	8h	10h	20h
9.60V	339,71	247,18	152,01	83,98	49,40	35,49	29,82	24,41	17,12	14,57	7,70
9.90V	329,17	238,80	148,42	83,37	48,25	34,81	29,13	23,49	17,08	14,42	7,55
10.2V	318,63	230,42	144,83	82,76	47,09	34,12	28,44	22,57	17,03	14,26	7,41
10.5V	299,11	218,15	143,23	82,90	47,23	33,94	28,31	22,65	16,62	14,01	7,19
10.8V	272,10	200,43	138,04	80,97	46,19	32,92	27,48	22,17	15,80	13,41	6,80

Constant Power Discharge Characteristics (Watt per Battery, 25°C)

F.V./TIME	10min	15min	30min	1h	2h	3h	4h	5h	8h	10h	20h
9.60V	3318,42	2463,55	1665,17	934,30	555,23	401,17	338,36	277,69	195,27	166,40	88,05
9.90V	3232,07	2392,24	1634,31	932,41	545,05	395,50	332,20	268,57	195,78	165,50	86,82
10.2V	3145,71	2320,93	1603,46	930,53	534,87	389,82	326,04	259,46	196,30	164,59	85,58
10.5V	3037,98	2261,27	1568,29	935,66	538,54	389,27	325,84	261,41	192,29	162,29	83,40
10.8V	2854,31	2145,08	1493,92	917,41	528,74	378,98	317,49	256,82	183,48	155,93	79,13

All mentioned values are average values.