

# SBL 12-12L

## (12V 12Ah)

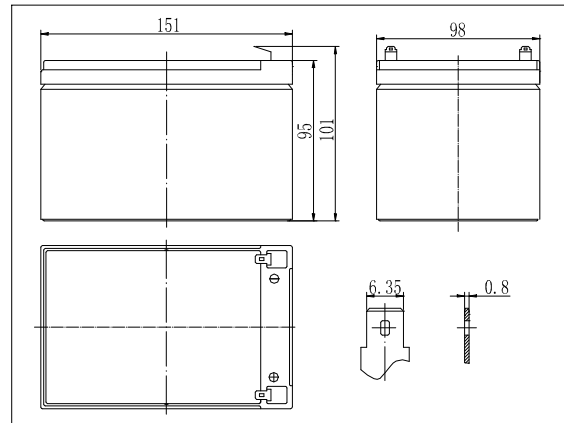
High Performance battery with 10-12 years design life (EUROBAT)

Status: 01-2014

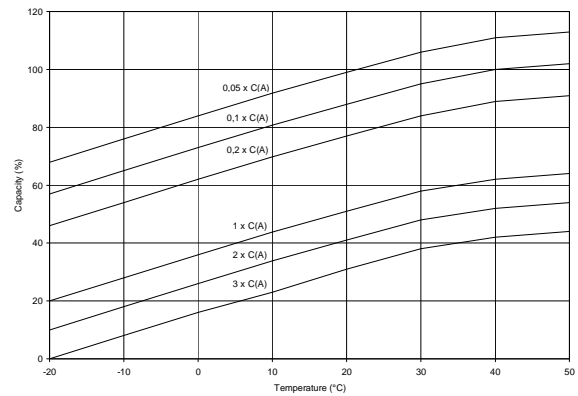
### Specifications

Nominal Voltage		12V
Capacity (10hr@25°C@1.75V/C)		12.6Ah
Dimensions	Length	151mm (5.94inch)
	Width	98mm (3.86inch)
	Height	95mm (3.74inch)
	Total Height	101mm (3.98inch)
Approx. Weight		3.6kg (7.94lbs)
Maximum charging current		3.6A
Maximum discharge current		180A (5sec.)
Internal resistance (Fully charged, 25°C)		Approx. 19mΩ
Capacity affected by temperature (10hr)	40°C	102%
	25°C	100%
	0°C	85%
	-15°C	65%
Self-discharge (25°C)	3 month	Remaining Capacity: 91%
	6 month	Remaining Capacity: 82%
	12 month	Remaining Capacity: 65%
Nominal operating temperature		25°C (77°F)
Operating temperature range		-15°C ~ 50°C (5°F ~ 122°F)
Float charging voltage (25°C)		13.65 to 13.80V
Cyclic charging voltage (25°C)		14.50 to 14.90V
Absorbent glass mat technology		
ABS (UL94-HB) container		<b>Recognized by UL &amp; CE</b>

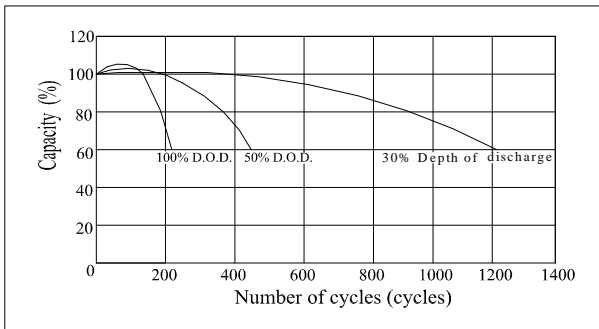
### Dimensions



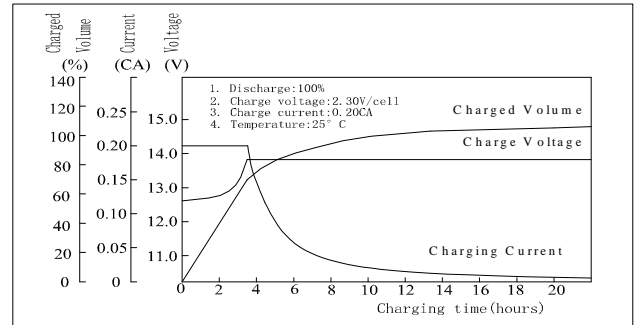
### Temperature Effects in Relation to Battery Capacity



### Cycle Life (25°C)



### Charging Characteristics (25°C)



### Constant Current Discharge Characteristics (Ampere per Battery, 25°C)

F.V./TIME	10min	15min	30min	1h	2h	3h	4h	5h	8h	10h	20h
9.60V	30,65	22,30	13,71	8,06	4,46	3,20	2,69	2,20	1,54	1,31	0,69
9.90V	29,62	21,49	13,36	7,96	4,34	3,13	2,62	2,11	1,54	1,30	0,68
10.2V	28,60	20,68	13,00	7,83	4,23	3,06	2,55	2,03	1,53	1,28	0,66
10.5V	26,84	19,57	12,85	7,77	4,24	3,05	2,54	2,03	1,49	1,26	0,65
10.8V	28,2	22,6	12,7	7,67	4,14	3,06	2,46	2,02	1,42	1,12	0,59

### Constant Power Discharge Characteristics (Watt per Battery, 25°C)

F.V./TIME	10min	15min	30min	1h	2h	3h	4h	5h	8h	10h	20h
9.60V	299,38	222,25	150,23	84,29	50,09	36,19	30,53	25,05	17,62	15,01	7,94
9.90V	290,87	215,29	147,08	83,91	49,05	35,59	29,90	24,17	17,62	14,89	7,81
10.2V	282,35	208,32	143,92	83,52	48,01	34,99	29,27	23,29	17,62	14,77	7,68
10.5V	272,60	202,91	140,72	83,96	48,32	34,93	29,24	23,46	17,25	14,56	7,48
10.8V	256,04	192,42	134,01	82,29	47,43	34,00	28,48	23,04	16,46	13,99	7,10

All mentioned values are average values.